

# CENTRO



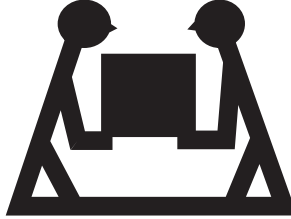
## **Centro 4800 Assembly Manual**

**85-1627-2 (G51202) Propane  
85-1652-0 (G51204) Natural Gas  
Limited 5-Year Warranty**

**Read and save manual for future reference.**

**Assemble your grill immediately.  
Missing or damaged parts should be  
claimed within 15 days of purchase.**

Manual Revision #: 020708



## HEAVY ARTICLE NEEDS 2 TO LIFT

### **THIS MANUAL MUST REMAIN WITH THE PRODUCT AT ALL TIMES**

---

To ORDER non-warranty replacement parts or accessories, or to register your warranty, please visit us on the web at [www.centrobbqs.com](http://www.centrobbqs.com).

---

#### **⚠ CAUTION**

Sharp edges. Wear gloves when assembling your grill.

---

#### **⚠ CAUTION**

Read and follow all safety statements, assembly instructions, and use and care directions before attempting to assemble and cook.

---

#### **⚠ INSTALLER OR ASSEMBLER/CONSUMER**

This manual should be kept with the BBQ at all times.

---

#### **⚠ WARNING**

Failure to follow all of the Manufacturer's instructions could result in hazardous fires, explosions, property damage, or serious personal injury or even death.

Follow all leak check procedures carefully prior to operation of barbecue, even if grill was dealer assembled. Do not try to light this barbecue without reading the Lighting Instructions section of this manual.

---

#### **⚠ DANGER**

1. If you smell Gas:
  - a. Shut off gas to the appliance
  - b. Extinguish any open flame
  - c. Open lid
- d. If odor continues, keep away from the appliance and immediately call your gas supplier or your fire department
2. Do not store or use gasoline or other flammable vapours and liquids in the vicinity of this or any other appliance.
3. An LP cylinder not connected for use shall not be stored in the vicinity of this or any other appliance.
4. Requires two people to complete the assembly process.
5. Beware of sharp edges.

**THIS BARBECUE IS FOR OUTDOOR USE ONLY**

**CONTACT CALL CENTRE IF ANY PARTS ARE MISSING**

# ASSEMBLY INSTRUCTIONS

## TOOLS NEEDED FOR ASSEMBLY

- #2 Phillips screwdriver (Long and short)
- ¼" Slotted screwdriver (Long and short)
- Adjustable wrench
- Pliers
- Rubber Mallet

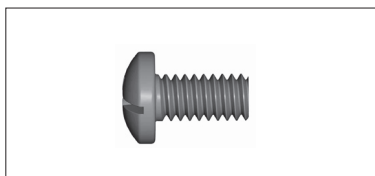
**Before assembling the barbecue, read these instructions carefully.**

Assemble the barbecue on a flat, clean surface. Grill is heavy.

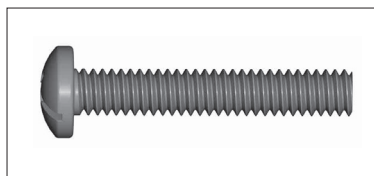
**Notes: Do not** fully tighten all the nuts during this initial stage.

No.	Description	Part Number	Quantity
1	¼"-20UNCX13 Screw	20120-13013-250	6
2	¼"-20UNCX38 Screw	20120-13038-250	4
3	¼"-20UNCX16 Screw	20120-13016-250	8
4	ø7 Lock Washer	41400-07000-250	18
5	ø7 Washer	40300-07000-250	18
6	NO.10-24UNCx10 Screw	20124-10010-250	24
7	ø 5 Lock Washer	41400-05000-250	24
8	ø 5 Washer	40300-05000-250	24
9	ST4.2x10 Tapping Screw	22500-42010-137	1
10	Wrench	G413-0032-9082	1
11	NO.8-32UNCx10 Screw	20332-08010-250	4
12	Control Knob	G412-4500-9000	1
13	Wing Nut	33301-04000-032	1

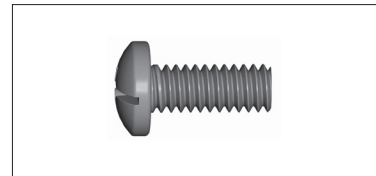
**⚠ Caution:**  
Sheet metal can cause injury. Wear gloves when installing the grill.



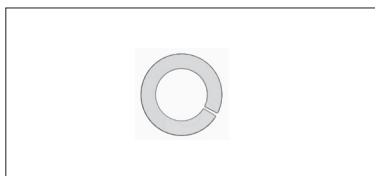
#1. ¼" - 20UNCX13 Screw (x6)



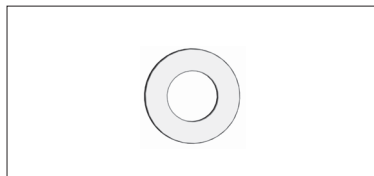
#2. ¼" - 20UNCX38 Screw (x4)



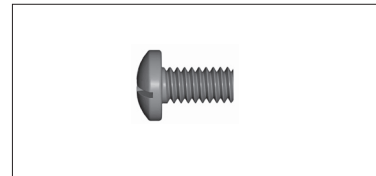
#3. ¼" - 20UNCX16 Screw (x8)



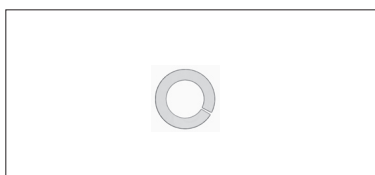
#4. ø7 Lock Washer (x18)



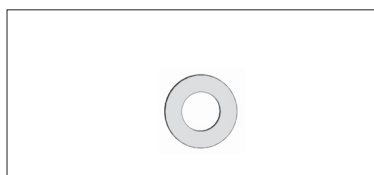
#5. ø7 Washer (x18)



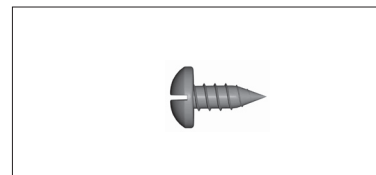
#6. NO. 10-24UNCx10 Screw (x24)



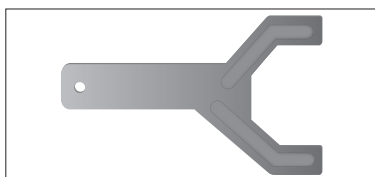
#7. ø5 Lock Washer (x24)



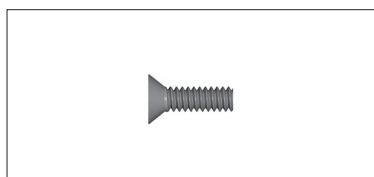
#8. ø5 Washer (x24)



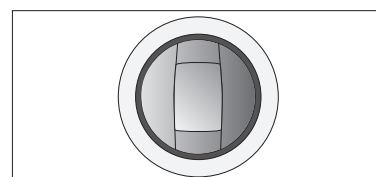
#9. ST4.2x10 Tapping Screw (x1)



#10. Wrench (x1)



#11. NO. 8-32UNCx10 Screw (x4)



#12. Knob (x1)



#13. Wing Nut (x1)

## PARTS LIST (PROPANE) FOR 85-1627-2 (G51202)

Item	Qty.	Description	Part No.	Item	Qty.	Description	Part No.
AA	1	Top Lid	G512-1800-01	CO	1	Upper Back Panel	G512-5500-01
AB	1	Lid handle	G512-0001-01	CP	1	Tank Exclusion	G617-0037-01
AC	1	Lid handle end cap-Left	G617-0004-01				
AD	1	Lid handle end cap-Right	G617-0005-01	DA	1	Side shelf table- Left	G512-1500-01
AE	1	Logo plate	G412-0001-01	DB	1	Side Shelf fascia- Left	G512-0022-01
AF	1	Thermometer	G412-0003-01	DC	1	Side Burner Drip Pan	G617-0035-01
AG	2	Screw for top lid	G501-0005-01	DD	1	Side Burner Assembly	G433-1400-01
AH	2	Lid bumper	G508-0063-01	DE1	1	Electrode Set, Sideburner	G433-0047-01
BA1	1	Burner box assembly	G512-0200-01	DF	1	Lid- Sideburner	G512-0023-01
BA2	1	Burner box side panel- Left	G617-0300-01	DG	1	Cooking Grate, Sideburner	G501-0077-01
BA3	1	Burner box side panel- Right	G617-0400-01	DH	1	Side shelf table- Right	G512-1400-01
BA4	1	Rotisserie Burner Brace	G512-0015-01	DI	1	Side shelf fascia-Right	G512-0021-01
BB	1	Upper side panel- Left	G512-0300-01				
BC	1	Upper side panel- Right	G512-0400-01	EA	1	Cart side panel-Left	G512-1900-01
BD	2	Main Burner-A	G502-1700-01	EB	1	Cart Side Panel, Right	G512-1300-01
BE	1	Main Burner-B	G502-1900-01	EC	1	Pillar, Left	G512-1600-01
BF	1	Carryover assembly	G502-0012-01	ED	1	Pillar, Right	G512-1700-01
BG	3	Flame Tamer	G617-0019-01	EE	2	Magnet assembly	G501-0016-01
BH	3	Cooking Grate, Burner Box	G512-0008-01	EF	1	Door assembly	G512-5100-01
BI	1	Warming Rack	G512-0004-01	EG	1	Bottom shelf	G512-0900-01
BJ	1	Rotisserie Burner	G607-4000-01	EH	2	Wheel with lock	G401-0061-01
BK1	1	Electrode Set, Rotisserie Burner	G411-0002-01	EI	2	Wheel	G606-0027-01
BK2	1	Ground wire, rotisserie burner	G411-0004-01				
BL	1	Wind Shield, Rotisserie	G617-0036-01		1	Hardware Pack	G512-B002-01
BM	1	Match Holder	G608-0019-01		1	Instruction Manual	G512-M002-01
					1	Safety & Care Manual	G617-M001-02
CA	1	Manifold Assembly	G512-4600-01				
CB	1	Regulator	G433-0034-01				
CC	1	Valve, Sideburner	G617-0010-01				
CD	1	Metal Hose, sideburner	G608-0039-01				
CE	1	Rotisseries Flexible hose	G411-0013-01				
CF1	1	Electronic Igniter assembly	G508-0075-01				
CF2	1	Electronic Ignition Button	G501-0072-01				
CG1	1	Electrode Set, Main Burner	G617-0017-01				
CG2	1	Ground wire, main burners	G411-0004-01				
CH	4	Control Knob Assy	G412-4500-01				
CI	1	Rotisserie Knob Assy	G617-4200-01				
CJ	1	Series Logo	G512-0020-01				
CK	1	Control Panel	G512-0017-01				
CL	1	Front Brace	G512-0007-01				
CM	1	Grease Tray	G512-1000-01				
CN	1	Grease Cup	G416-0015-01				





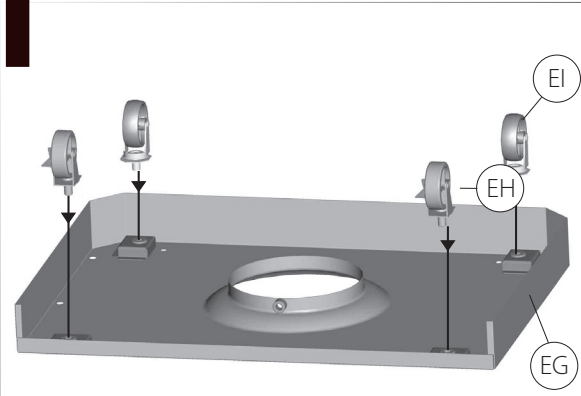
## PARTS LIST (NATURAL GAS) FOR 85-1652-0 (G51204)

Item	Qty.	Description	Part No.	Item	Qty.	Description	Part No.
AA	1	Top Lid	G512-1800-01	CN	1	Grease Cup	G416-0015-01
AB	1	Lid handle	G512-0001-01	CO	1	Upper Back Panel	G512-5500-01
AC	1	Lid handle end cap-Left	G617-0004-01				
AD	1	Lid handle end cap-Right	G617-0005-01	DA	1	Side shelf table- Left	G512-1500-01
AE	1	Logo plate	G412-0001-01	DB	1	Side Shelf fascia- Left	G512-0022-01
AF	1	Thermometer	G412-0003-01	DC	1	Side Burner Drip Pan	G617-0035-01
AG	2	Screw for top lid	G501-0005-01	DD	1	Side Burner Assembly	G433-1400-01
AH	2	Lid bumper	G508-0063-01	DE1	1	Electrode Set, Sideburner	G433-0047-01
BA1	1	Burner box assembly	G512-0200-01	DF	1	Lid- Sideburner	G512-0023-01
BA2	1	Burner box side panel- Left	G617-0300-01	DG	1	Cooking Grate, Sideburner	G501-0077-01
BA3	1	Burner box side panel- Right	G617-0400-01	DH	1	Side shelf table- Right	G512-1400-01
BA4	1	Rotisserie Burner Brace	G512-0015-01	DI	1	Side shelf fascia-Right	G512-0021-01
BB	1	Upper side panel- Left	G512-0300-01				
BC	1	Upper side panel- Right	G512-0400-01	EA	1	Cart side panel-Left	G512-1900-01
BD	2	Main Burner-A	G502-1700-01	EB	1	Cart Side Panel, Right	G512-1300-01
BE	1	Main Burner-B	G502-1900-01	EC	1	Pillar, Left	G512-1600-01
BF	1	Carryover assembly	G502-0012-01	ED	1	Pillar, Right	G512-1700-01
BG	3	Flame Tamer	G617-0019-01	EE	2	Magnet assembly	G501-0016-01
BH	3	Cooking Grates	G512-0008-01	EF	1	Door assembly	G512-5100-01
BI	1	Warming Rack	G512-0004-01	EG	1	Bottom shelf	G512-2500-01
BJ	1	Rotisserie Burner	G607-4000-01	EH	2	Wheel with lock	G401-0061-01
BK1	1	Electrode set, rotisserie burner	G411-0002-01	EI	2	Wheel	G606-0027-01
BK2	1	Ground wire, rotisserie burner	G411-0004-01				
BL	1	Wind Shield, Rotisserie	G617-0036-01		1	Hardware Pack	G512-B002-01
BM	1	Match Holder	G608-0019-01		1	Instruction Manual	G512-M002-01
					1	Safe & Care Manual	G617-M001-02
CA	1	Manifold Assembly	G512-4800-01				
CB	1	Natural Gas hose	G501-0099-01				
CC	1	Valve, Sideburner	G617-0024-01				
CD	1	Metal Hose, sideburner	G608-0039-01				
CE	1	Rotisserie Flexible hose	G601-0072-01				
CF1	1	Electronic Igniter assembly	G508-0075-01				
CF2	1	Electronic Ignition Button	G501-0072-01				
CG1	1	Electrode Set, Main Burner	G617-0017-01				
CG2	1	Ground wire, main burners	G411-0004-01				
CH	4	Control Knobs	G412-4500-01				
CI	1	Rotisserie Knob	G617-4200-01				
CJ	1	Series Logo	G512-0020-01				
CK	1	Control Panel	G512-0017-01				
CL	1	Front Brace	G512-0007-01				
CM	1	Grease Tray	G512-1000-01				

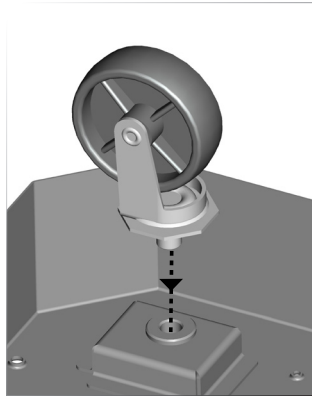


# ASSEMBLY INSTRUCTIONS

# 1



Back view



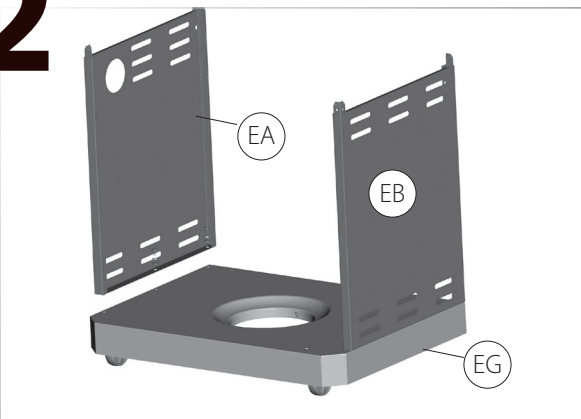
Close up

1. Separate the 2 different types of wheels, 2 locking wheels (EH) and 2 regular wheels (EI).

Attach the locking wheels (EH) to the back of the bottom shelf (EG) and the regular wheels (EI) to the front of the bottom shelf (EG).

To secure the 4 wheels, hand tighten first. Then, tighten further using the Wrench provided in the hardware pack.

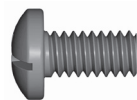
# 2



Front view

2. Ensure that the wheels are firmly locked in the "ON" position before continuing.

Assemble the left side panel (EA) and the right side panel (EB) to the bottom shelf (EG).



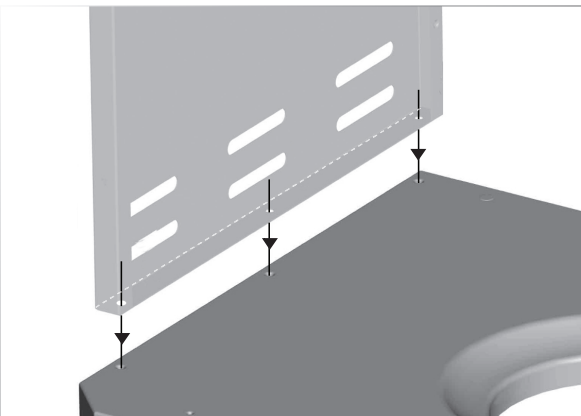
#1 - 1/4" - 20UNCx13 Screw (x6)



#4 -  $\phi$ 7 Lock Washer (x6)



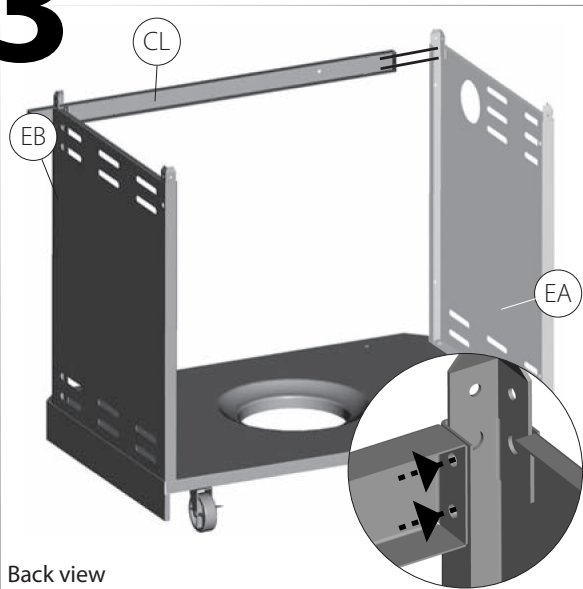
#5 -  $\phi$ 7 Washer (x6)



Close up

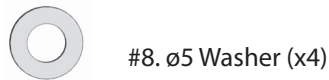
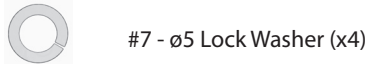
# ASSEMBLY INSTRUCTIONS

## 3

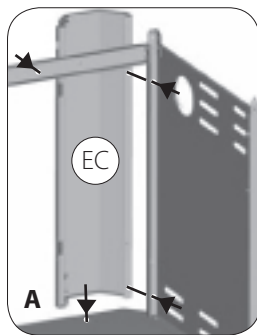


3. Attach the Front Brace (CL) to the Left and right cart side panels (EA and EB)

**TIP:** One person should align the left side, while the second person assembles the right side.



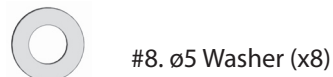
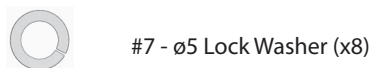
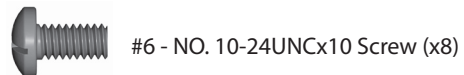
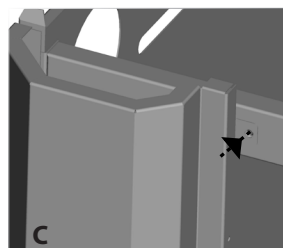
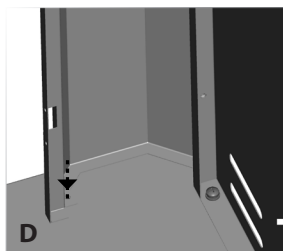
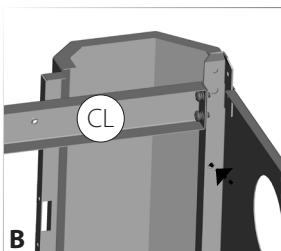
## 4



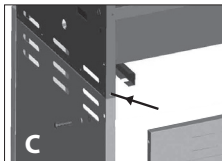
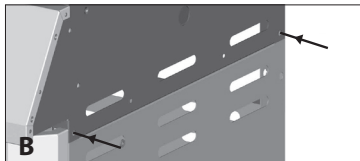
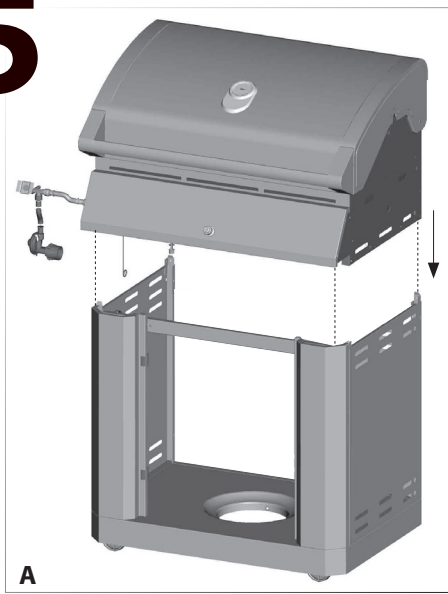
4. Assemble the Left and right Pillars (EC and ED), to the cart side panels, as shown in figure A and B.

Next, assemble the left and right pillars to the Front brace (CL) and the Bottom shelf (EG), as shown in figure C and D.

**TIP:** One person should align the left side, while the second person assembles the right side.



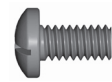
# 5



**THIS STEP REQUIRES 3 OR MORE PEOPLE. DO NOT ATTEMPT ALONE. EXTREMELY HEAVY.**

5a. Position the top lid and burner box assembly (A and B) onto cart assembly (C) as shown.

5b. Use the hardware to connect both parts, on the left and right sides, at the three points indicated in Figure B and C.



#6 - NO. 10-24UNCx10 Screw (x6)



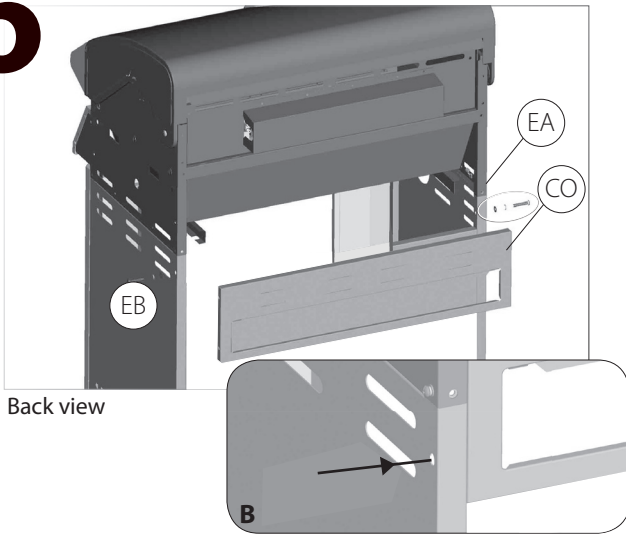
#7 - ø5 Lock Washer (x6)



#8. ø5 Washer (x6)

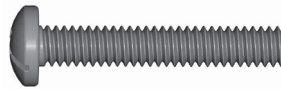
# ASSEMBLY INSTRUCTIONS

## 6



6. Attach the upper back panel (CO) to both the left and right side panels (EA and EB).

Only install hardware in the bottom portion of the back panel, as shown in figure B.



#2 - 1/4" - 20UNCx38 Screw (x2)

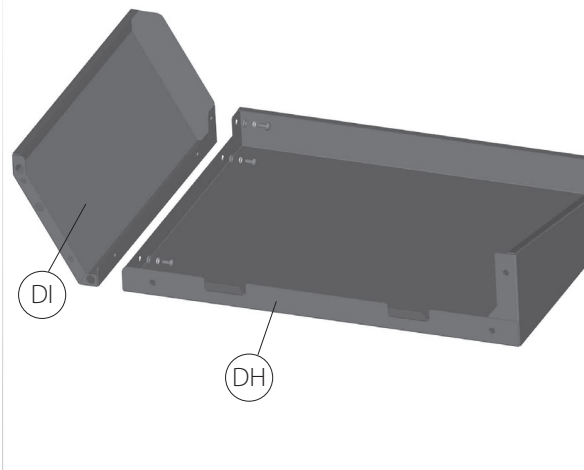


#4 - ø7 Lock Washer (x2)

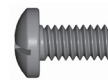


#5 - ø7 Washer (x2)

## 7



7. Attach the right side shelf fascia (DI) to the right side shelf table (DH), as shown.



#6 - NO. 10-24UNCx10 Screw (x3)



#7 - ø5 Lock Washer (x3)

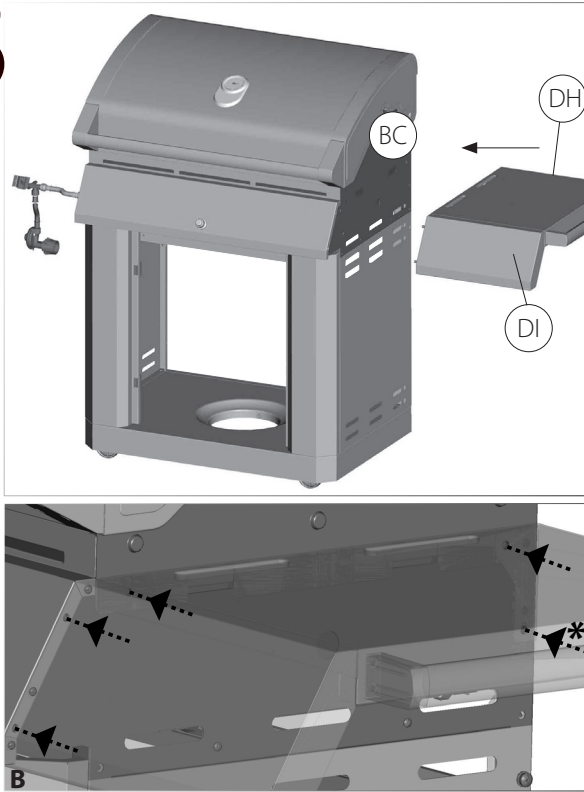


#8. ø5 Washer (x3)



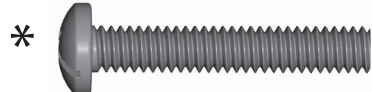
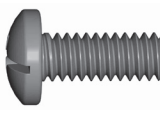


# ASSEMBLY INSTRUCTIONS

## 8

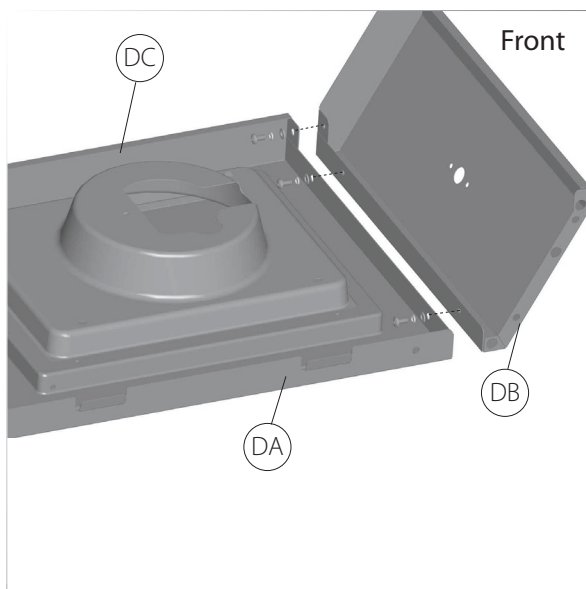


**TIP:** To position the right side shelf, insert the two hooks on the side shelf assembly into the two openings located on the right upper side panel (BC).




8. Assemble the right side shelf assembly to the cart assembly, as shown in figure B.

- \*  #2 - 1/4" - 20UNCx38 Screw (x1)
-  #3 - 1/4" - 20UNCx16 Screw (x4)
-  #4 - ø7 Lock Washer (x5)
-  #5 - ø7 Washer (x5)

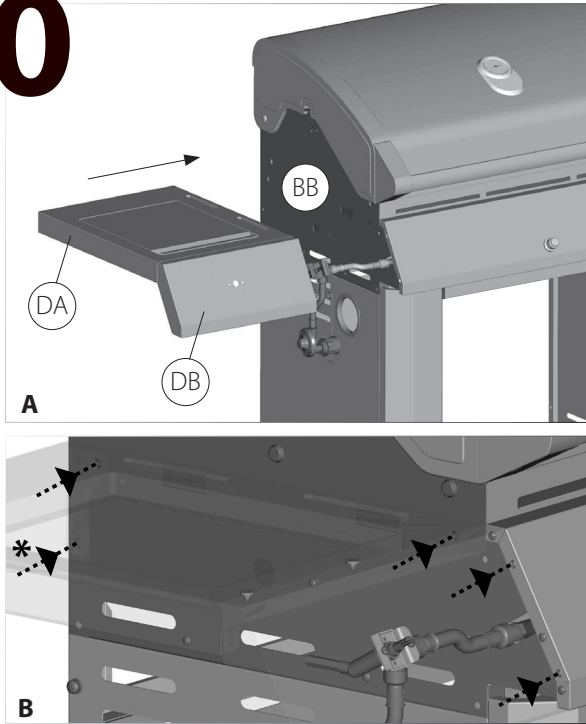
## 9



9. Attach the left shelf fascia (DB) to the left side shelf table (DA).

-  #6 - NO. 10-24UNCx10 Screw (x3)
-  #7 - ø5 Lock Washer (x3)
-  #8. ø5 Washer (x3)

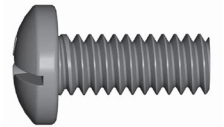
# 10



**TIP:** To position the left side shelf, insert the two hooks on the side shelf assembly into the two openings located on the upper left side panel (BB).

10. Assemble the right side shelf assembly to the cart assembly, as shown in figure B.

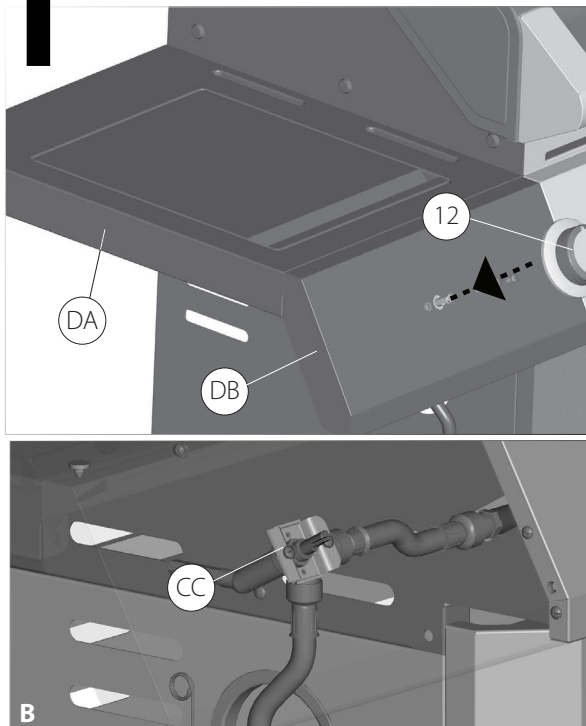
\*  #2 - 1/4" - 20UNCx38 Screw (x1)

 #3 - 1/4" - 20UNCx16 Screw (x4)

 #4 -  $\varnothing$ 7 Lock Washer (x5)

 #5 -  $\varnothing$ 7 Washer (x5)

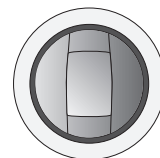
# 11



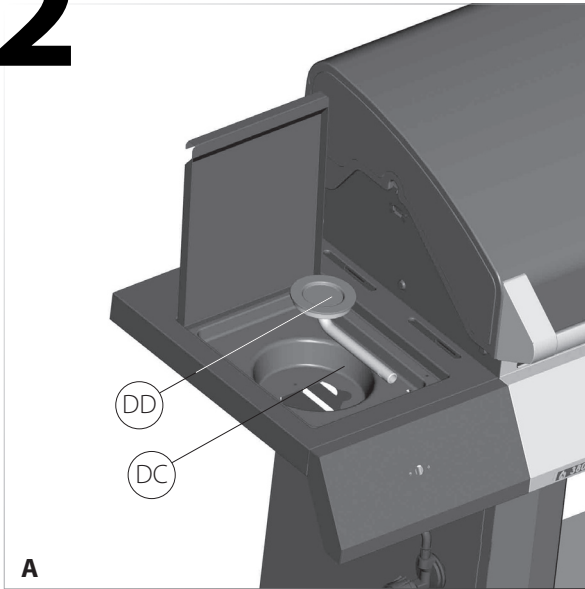
11. Remove the hardware that is pre-assembled to the side burner valve bracket (CC), as shown in figure B. Insert the side burner valve stem through the rear of the left side shelf fascia (DB). Assemble the side burner valve to the side shelf fascia, using the hardware removed.

Assemble the side burner control knob (#12) to the side burner valve (CC).

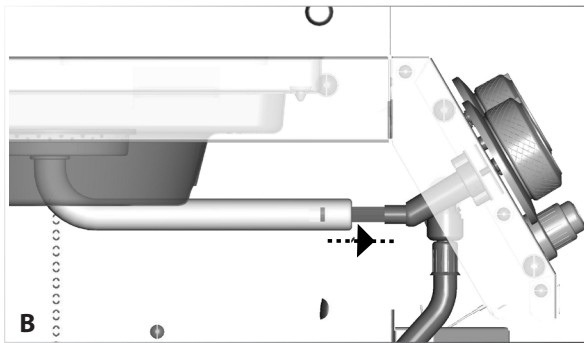
**Hardware may be included with the hardware pack.**

 #12. Knob (x1)

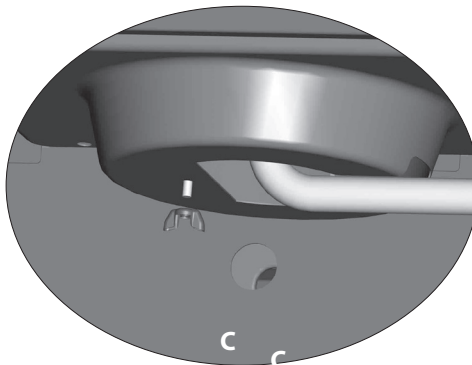
# 12



12a. Position the side burner (DD) through the opening in the left side burner drip pan (DC).



12b. Make sure that the burner engages the side burner valve as shown in figure B.

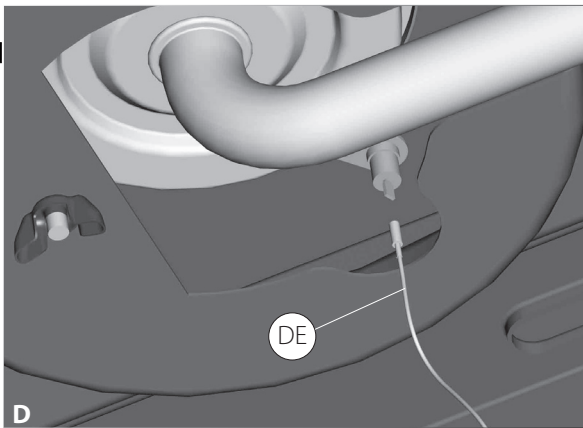


12c. Using the Wing nut provided, assemble the side burner to the side burner drip pan (DC), as shown in figure C.



#13 - Wing Nut (x1)

# 12 Cont'd



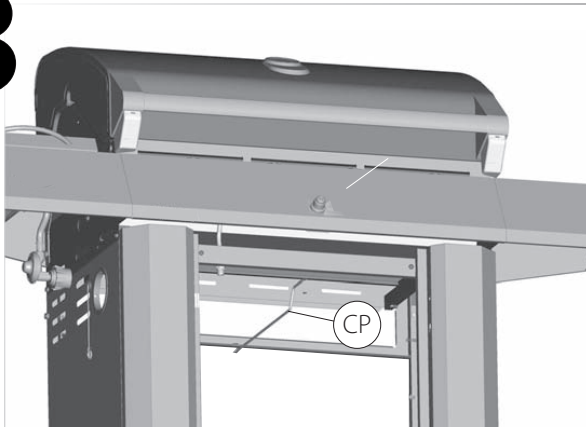
12d. Attach the end of the side burner electrode wire (DE) to the underside of the side burner electrode, as shown in figure D.

Ensure that the wire is pushed in firmly.



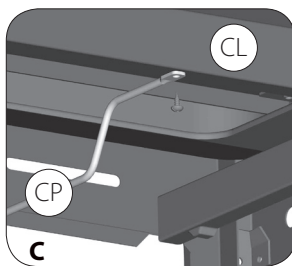
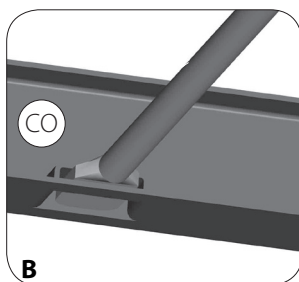
12e. Place the side burner cooking grate (DG) into position on the side burner shelf, as shown in figure E.

# 13



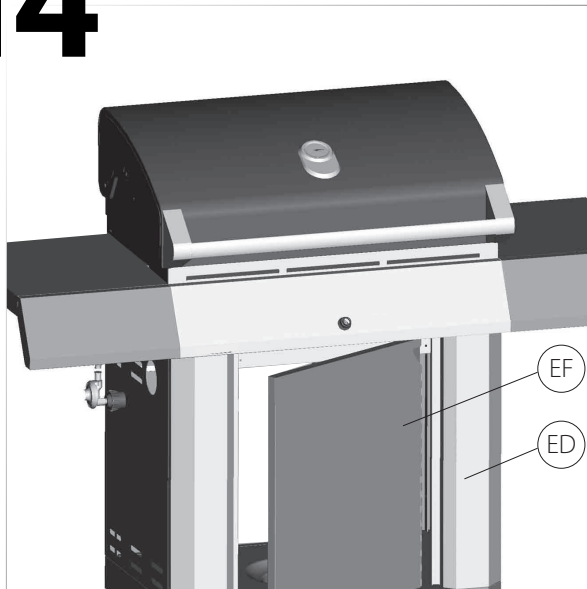
**For propane model only.**

13. Insert the flat end of the Tank Exclusion Bar (CP) into the groove on the upper back panel (CO), as shown in figure B. Next, attach the tank exclusion bar (CP) to the Front Brace (CL) using the self tapping, as shown in figure C.



#9 - ST4.2x10 Tapping Screw (x1)

# 14

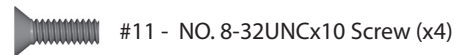


**TIP:** Before attempting to assemble the door (EF) to the right pillar (ED), locate the two clasps on the door Hinge. Next, locate the two small openings on the right side pillar.

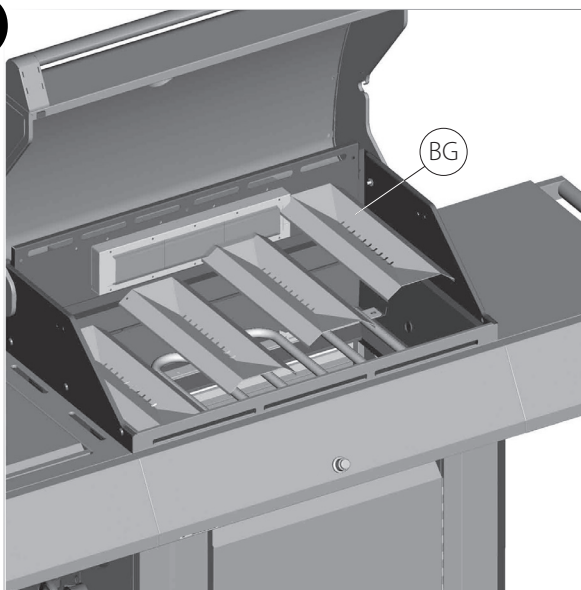
14a. Hold the door perpendicular to the BBQ Cart. Align the two clasps on the door hinge (EF), with the two holes on the right side pillar (ED). Once aligned push the two clasps into the openings, and immediately push down to lock clasps in place.



14b. Assemble the door (EF) to the right pillar (ED), as shown in figure B, using the screws provided.



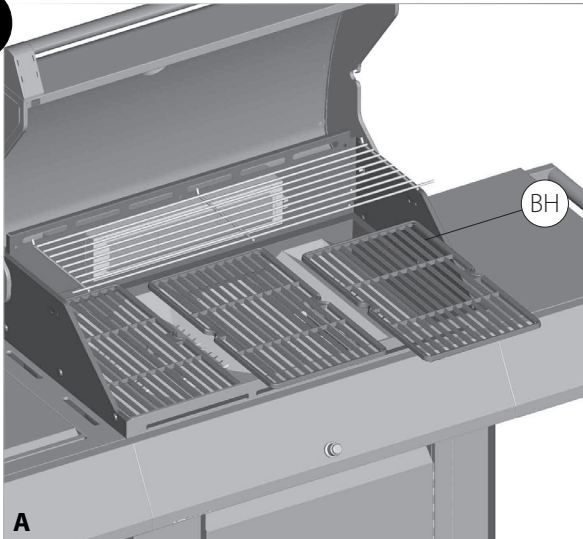
# 15



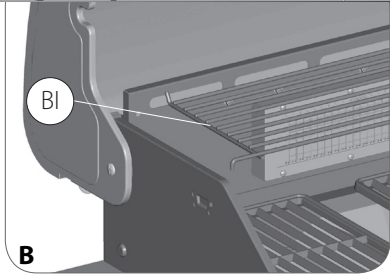
15. Place the flame tamers (BG) into the burner box.

Model may not be exactly as shown.

# 16

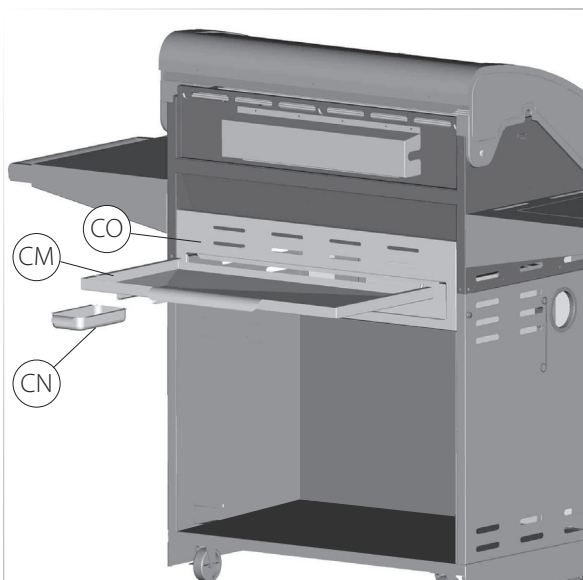


16a. Place the cooking grates (BH) into the burner box, as shown in figure A.



16b. Insert the three small positioning rods of the warming rack (BI) into the Rotisserie burner brace.

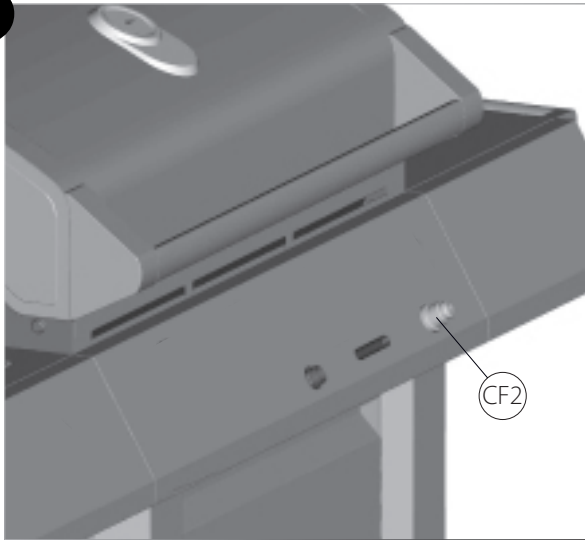
# 17



17a. Insert the grease tray (CM) into the opening in the upper back panel (CO), making sure to engage tracks located under burner box.

17b. Place the grease cup (CN) onto the tracks, located on the underside of the grease tray (CM).

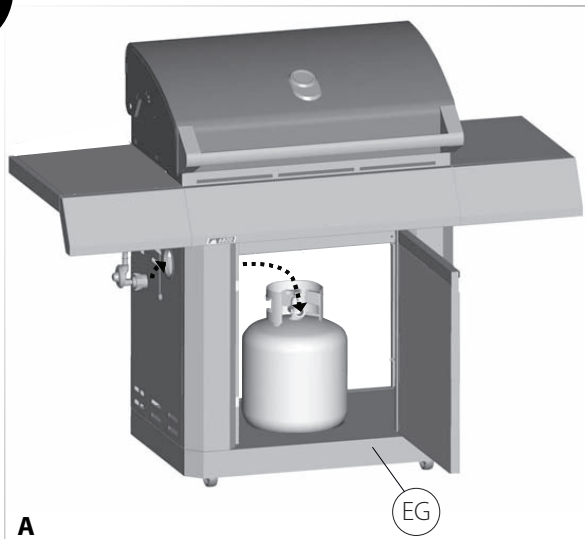
18



18. Unscrew the electronic ignitor button (CF2) and insert one AA battery into the electronic igniter battery compartment, with the positive end facing outward.

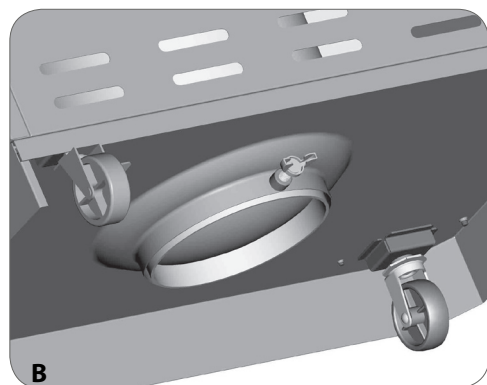
**\* Battery not included.**

19



**For propane model only.**  
**For natural gas model, follow step 20.**

19a. Position the 20 lb propane tank onto the bottom shelf (EG), and secure using the bolt (already attached) located on the underside of the bottom shelf, as shown in figure B.



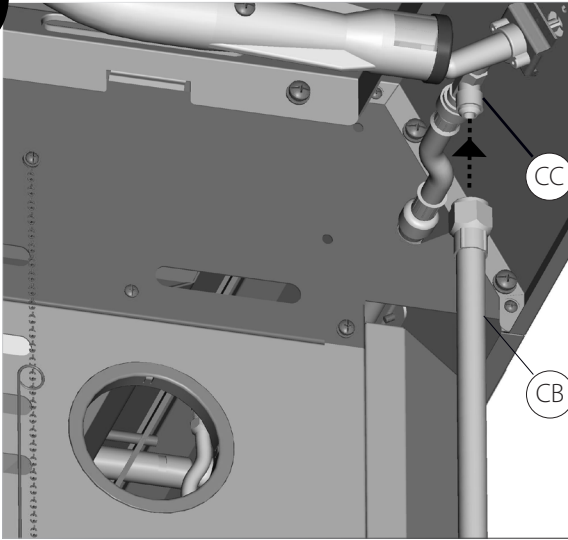
19b. Attach the Regulator coupling nut to the LP cylinder valve.

**⚠ ATTENTION:** For your families safety, do not attempt to light this BBQ until you have reviewed pages 4-7 of the CENTRO Safety & Care Manual. All Safety and Leak test **MUST BE PERFORMED BY THE END USER**, prior to lighting this BBQ.

**⚠ WARNING**  
**Do not store extra propane tanks within BBQ cart.**



**20**



**For natural gas model only.**

20. Attach the Natural Gas Hose (CB) to the side burner valve (CC) as shown.